


# ***Nikon***

Auto Slide Feeder

**SF-100**

**User's Manual**

## **Contents**

1. Overview
    - 1.1 Features
    - 1.2 Operating Environment
  2. Before Operation
    - 2.1 Inspection
    - 2.2 Accessories
    - 2.3 Notes on Use
    - 2.4  Cleaning the Unit
  3. Parts Identification
  4. Operation of the SF-100
    - 4.1 Mounting on the LS-1000
    - 4.2 Setting Mounted Slides
    - 4.3 Removing Mounted Slides
    - 4.4 Removing the Auto Slide Feeder
    - 4.5 What to Do If a Mounted Slide is Jammed
- Appendix: Specifications
- Index



## Cautions

- The reproduction of all or part of this manual without our permission is prohibited.
- The information contained in this manual is subject to change without notice.
- We have made every effort to produce a perfect manual, but should you find any mistakes, we would be grateful if you would kindly let us know.
- We shall take no responsibility for consequences resulting from the operation of this product, despite the terms mentioned above.

## Trademark Information

Macintosh is a registered trademark of Apple Computer, Inc.


Microsoft is a registered trademark and Windows is a trademark of Microsoft Corporation.

IBM PC/AT is a trademark of International Business Machines Corporation.

Other brand or product names are the trademarks or registered trademarks of their respective holders.




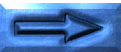
## Indication

The  indications in this manual signify important safety precautions. In order to use this product safely, please read every section where these indications are placed before beginning operation, this product. These indications are also placed in the table of contents so users can find them easily.



## Indication

The  indications in this manual signify the need for caution when using the products. These indications are placed in sections that should be read by users before beginning operation, in order to avoid damage to the product.



## **Federal Communications Commission (FCC) Radio Frequency Interference Statement**

This equipment has been tested and found to comply with the limits for a Class B digital device, pursuant to Part 15 of the FCC Rules. These limits are designed to provide reasonable protection against harmful interference in a residential installation. This equipment generates, uses, and can radiate radio frequency energy and, if not installed and used in accordance with the instructions, may cause harmful interference to radio communications. However, there is no guarantee that interference will not occur in a particular installation. If this equipment does cause harmful interference to radio or television reception, which can be determined by turning the equipment off and on, the user is encouraged to try to correct the interference by one or more of the following measures:

- Reorient or relocate the receiving antenna.
- Increase the separation between the equipment and receiver.
- Connect the equipment into an outlet on a circuit different from that to which the receiver is connected.
- Consult the dealer or an experienced radio/TV technician for help.

## **CAUTIONS**

### **Modifications**

The FCC requires the user to be notified that any changes or modifications made to this device that are not expressly approved by Nikon Corporation may void the user's authority to operate the equipment.

### **Notice for customers in Canada**

#### **CAUTION**

This class B digital apparatus meets all requirements of the Canadian interference Causing Equipment Regulations.

#### **ATTENTION**

Cet appareil numérique de la classe B respecte toutes les exigences du Règlement sur le matériel brouilleur du Canada.

### **Notice for customers in European countries**

#### **ACHTUNG**

Dieses Gerät entspricht den Bestimmungen der EG-Direktive 87/308/EEC zur Störungsunterdrückung. Lärmemission kleiner 70 dBA



## **If You Notice Anything Abnormal**

If unusual noise, odor or smoke occurs, switch the LS-1000 off immediately and disconnect the power cord and the SCSI cable. Contact your retailer or Nikon sales representative in your country.



## **Storage and Operating Locations**

Proper storage will ensure the long life of the Unit. In order to avoid internal dust while being stored, it is recommended that an appropriate cover be used on the Unit.

### **Do not store or use where:**

- The temperature is above 95°F (35°C) or below 50°F (10°C), the temperature changes drastically, or condensation occurs.
- The humidity exceeds 80%.
- The Unit is exposed to direct sunlight.
- The atmosphere is excessively dusty.
- The Unit may be subjected to excessive vibration or physical shocks.
- The Unit is exposed to noise from other equipment nearby.

## **When Taking the Unit Out of The Country**

The use of this product may violate local laws and restrictions in some countries. If this is the case, we cannot bear any responsibility for any violations resulting from the use of this product.

## **Notice concerning prohibition of copying or reproduction**

Note that simply being in possession of material which has been copied or reproduced by means of a scanner may be punishable by law.

- **Items prohibited by law from being copied or reproduced**

Do not copy or reproduce paper money, coins, securities, government bonds, or local government bonds, even if such copies or reproductions are stamped "Sample".

The copying or reproduction of paper money, coins, or securities which are circulated in a foreign country is prohibited.

The copying or reproduction of unused postage stamps or post cards issued by the government without obtaining approval from the government is prohibited.

The copying or reproduction of stamps issued by the government and certified documents stipulated by law is prohibited.

- **Cautions on certain copies and reproductions**

The government has issued cautions on copies or reproductions of securities issued by private companies (shares, bills, checks, gift certificates, etc.), commuter passes, or coupon tickets, except when a minimum of necessary copies are to be provided for business use by a company. Also, do not copy or reproduce passports issued by the government, licenses issued by public agencies and private groups, ID cards, and tickets, such as passes and meal coupons.

- **Comply with copyright notices**

The copying or reproduction of works such as books, music, paintings, woodcut prints, maps, drawings, movies, and photographs which are copyrighted creative works is prohibited except when it is done for personal use at home or for similar restricted and non-commercial use.



# I. Overview

Thank you for purchasing the NIKON Auto Slide Feeder for the 35mm Film Scanner LS-1000. This manual describes the procedures unpacking, setting up, and connecting the unit, with emphasis on hardware use and cautions.

Please read this manual thoroughly to ensure proper operation of your scanner.

We hope that you will find this manual helpful.

## I.1 Features

The SF-100 is an Auto Slide Feeder designed specifically for use with the NIKON 35mm Film Scanner LS-1000. It allows consecutive automatic scanning of mounted 35mm slides.

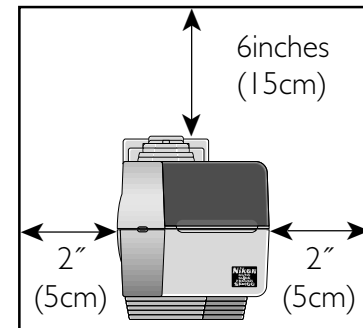
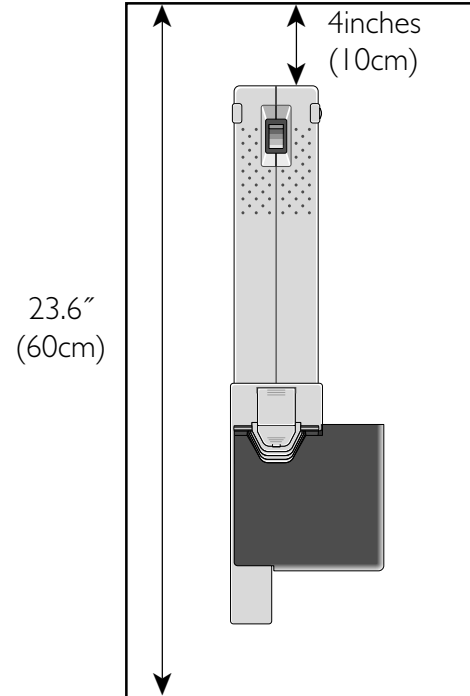
- Enables consecutive scanning using the software provided with the LS-1000.
- Holds up to 72 1.1mm thick mounted slides. (Magazine space of 80mm.)
- Can be attached to the LS-1000 without using connecting cables.

## I.2 Operating Environment

Leave extra space around and above the unit to ensure smooth operation. Please refer to the drawing at right for the amount of space to be provided.

If possible, place a suitable cover over the unit to avoid dust accumulating when it is stored.

The necessary space when the Auto Slide Feeder SF-100 is attached is shown below.



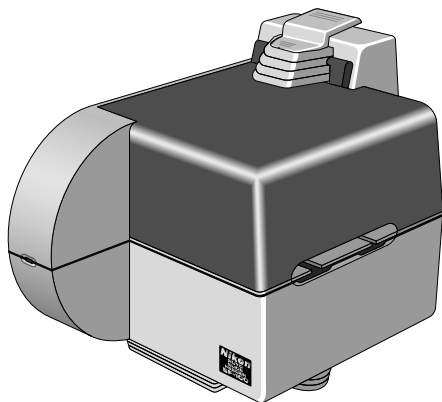
## 2. Before Operation

### 2.1 Inspection

Inspect the package to see whether any damage has occurred during shipment. If there is any damage to the package, please contact your retailer directly and do not unpack the unit.

### 2.2 Accessories

The following items are included with your SF-100. When you open the package, check whether all the items are present. If there are any missing items, please contact your retailer immediately.



SF-100 (1)

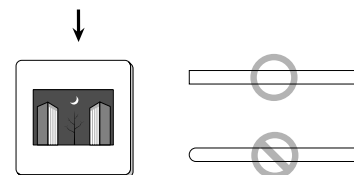


SF-100 user's manual (1)

### 2.3 ✓Notes on Use

- Don't use a slide mount neither less than 1.1mm nor more than 3.0mm thick. If the slide mount is not flat on its surface, you may feel some roughness when mounting or unmounting the slide.
- Don't force the slide-mount into or out of the unit if it does not move smoothly.
- When scanning a film, don't touch or unmount the slide-mount or strip film holder.
- Keep the unit in a horizontal position.
- Do not use slides with rounded mount edges, as the feeding mechanism may not work properly with such slides.

Viewed from above



The following kinds of slide mounts should not be used as they may cause a mount jam or prevent proper reading of the image.

- Warped slide mounts
- Slide mounts with peeling or burred edges
- Slide mounts with a sticker or label affixed
- Slide mounts with sharp corners



## 2.4 Cleaning the Unit

When carrying out routine maintenance and cleaning, ensure that no volatile liquids such as alcohol, benzene, or thinner come into contact with the SF-100 as this may cause a failure, fire, or electric shock.

Please observe the following points:

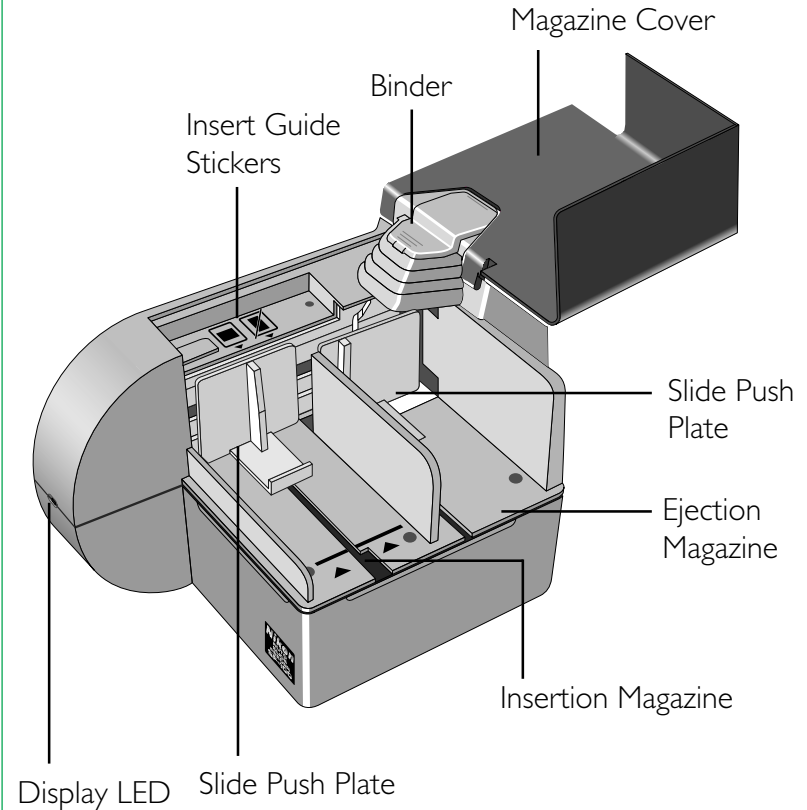
- Before cleaning, always turn the power off, and pull out the power plug.
- Since the cover is made from plastic material, remove dust with a blower or a dry cloth.

Use a soft, dry cloth to remove dust from the metal panel at the rear.

- If the unit has become badly soiled, clean with a cloth moistened with neutral liquid detergent, then dry with a dry cloth.

Avoid harsh substances such as alcohol, benzene, thinner, or pesticides, as they may damage the surface, or remove the exterior finish.

## 3. Parts Identification



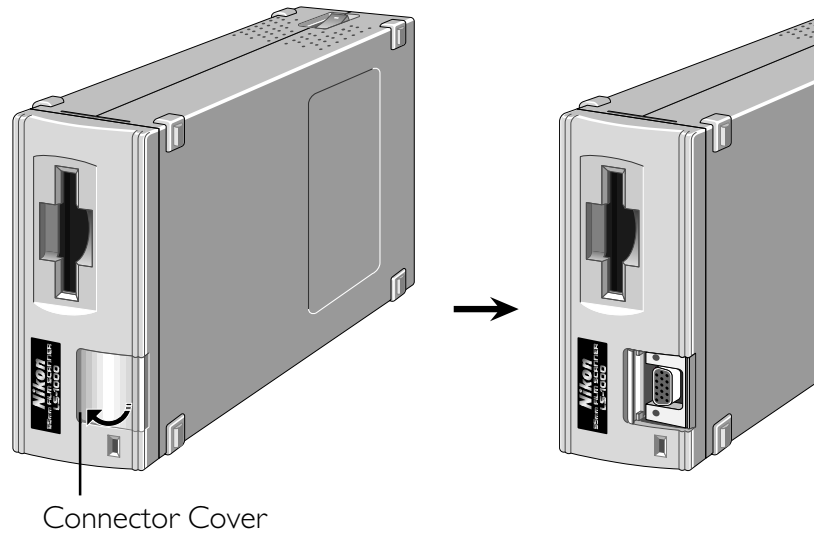
## 4. Operation of the SF-100

### 4.1 Mounting on the LS-1000

Before connecting, confirm that the LS-1000 is turned off.

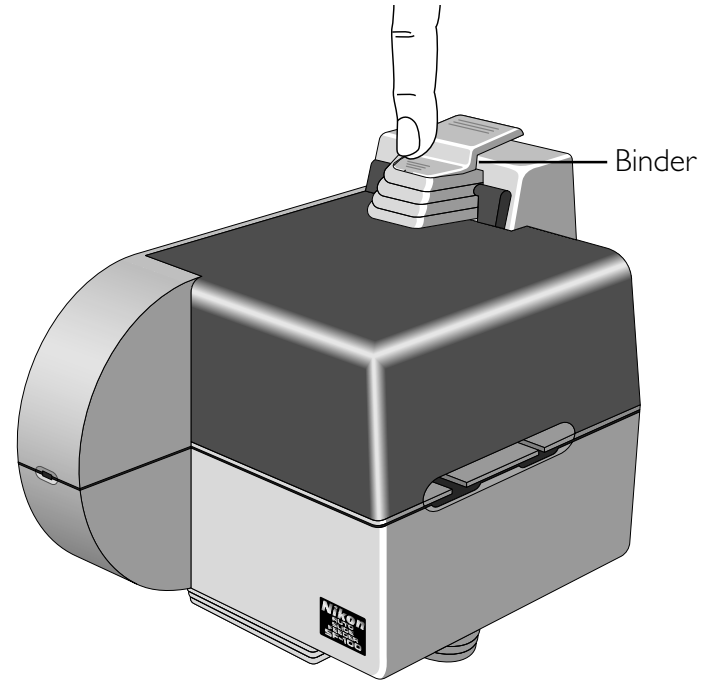
#### Step 1

Place the LS-1000 on its side, with the film slot toward the top. (The on/off switch will be on the uppermost side.) Open the connector cover on the front panel, and slide the cover into the panel.



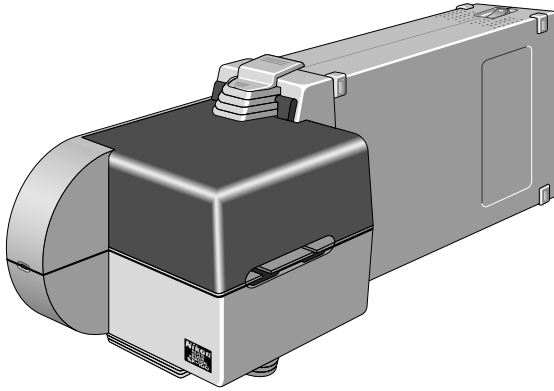
#### Step 2

Raise the binder by pressing the end above the magazine cover.



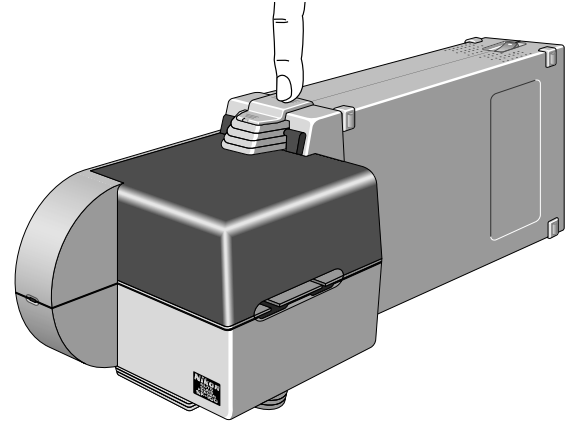
### Step 3

Place the SF-100 in front of the LS-1000, and insert the SF-100 connector fully into the LS-1000 connector.



### Step 4

Press the binder to be engaged with the groove on the top of the LS-1000, to fix the feeder to the LS-1000. Make sure that the lock is fully engaged (the surface of the lock should be perfectly horizontal).



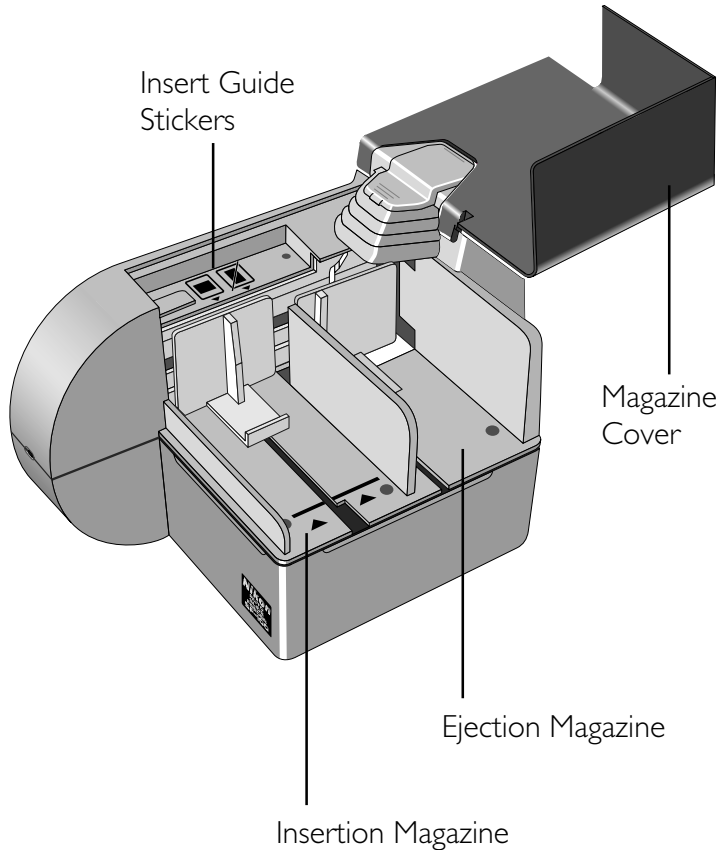
✓ Do not lift or move the scanner with the feeder attached. Always detach the feeder before the scanner is moved.

## 4.2 Setting Mounted Slides

Set the slides to be read by LS-1000 in the insertion side of the magazine.

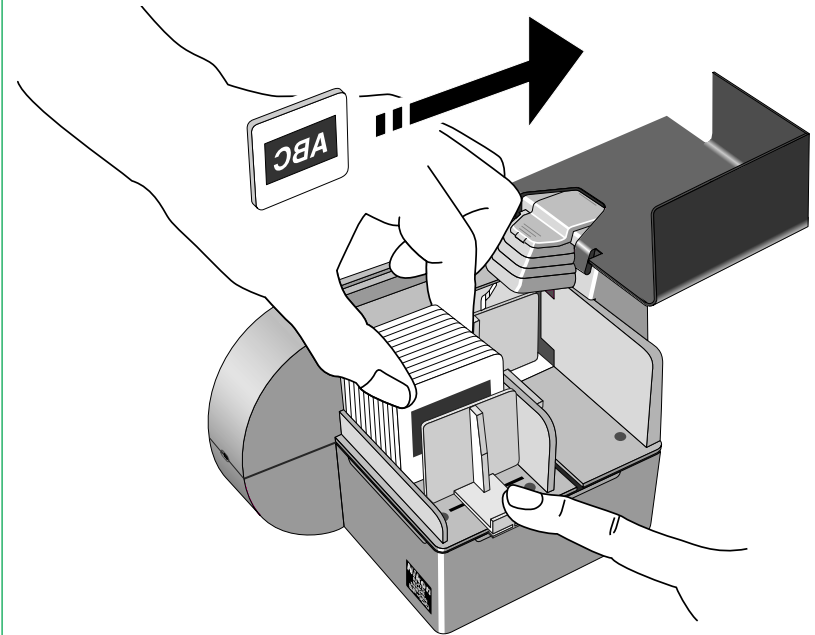
### Step 1

Open the magazine cover.

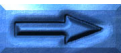


### Step 2

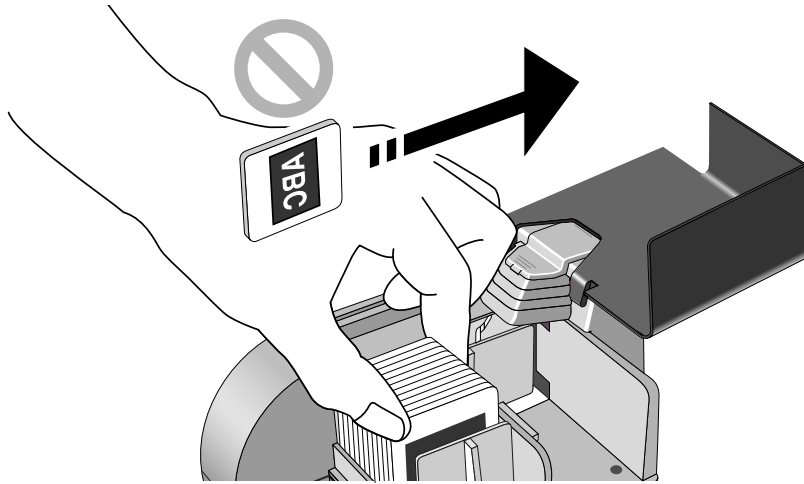
Next, grip the slide push plate in the insertion side with your fingers, pull it back against the spring, and catch it in the notch so that it cannot return to its original position.



**Note:** Make sure that the slides are inserted with the emulsion surface (rough surface) toward the slide push plate.

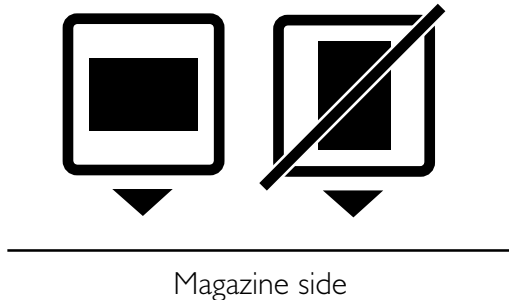


**Note:** Make sure that the slides are inserted with the longer sides of the film at the top and bottom. Inserting the slide with the shorter sides at the top and bottom may result in damage to the film or mount.



**Note:** Insert Guide Stickers shown below help you to insert slides correctly.

### Insert Guide Stickers



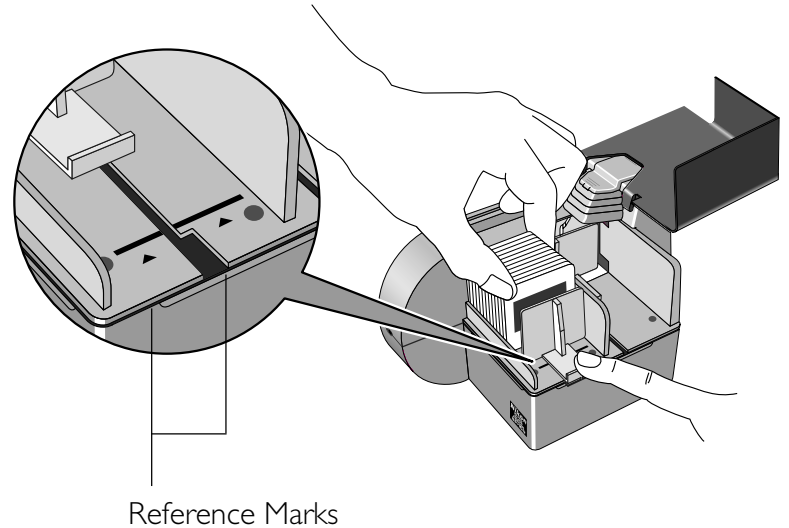
Magazine side

Place the slides in the insertion side of the magazine.

Slides can be placed in the insertion side of the magazine up to the reference mark.

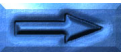
### ✓ **Remarks**

Do not insert slides beyond the reference mark, as this may cause them to jam.



Reference Marks

The slide push plate should be set to the locking position where the notch is given.



### **Step 3**

Set the slides with their apertures vertically oriented with respect to the LS-1000, and with the emulsion surface facing the slide push plate.

#### **✓ Remarks**

Do not set the auto slide feeder horizontally, as this will prevent scanning of both ends of the film, and may also cause the slides to jam inside the auto slide feeder.

### **Step 4**

Disengage the slide push plate from the notch and release it gently so that it is pressing against the slides.

Close the cover.

## 4.3 Removing Mounted Slides

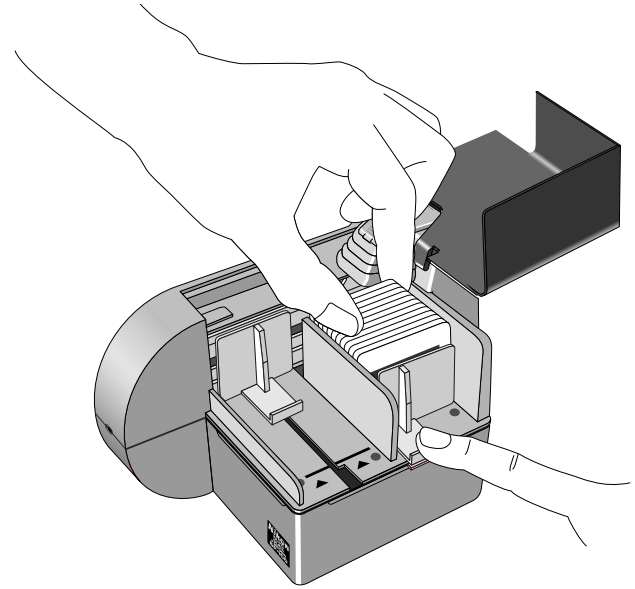
Once a slide has been scanned in the LS-1000, it will be ejected into the ejection side of the magazine.

### Step 1

Grip the slide push plate, which presses against the slides ejected from LS-1000, and pull it out against the spring.

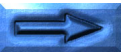
### Step 2

Remove the mounted slides.



### ✓ Remarks

If you continue scanning after the ejection side of the magazine is full of slides, it may cause a slide jam. Always remove slides promptly.



## 4.4 Removing the Auto Slide Feeder

To remove the auto slide feeder, follow the installation steps in reverse.

### Step 1

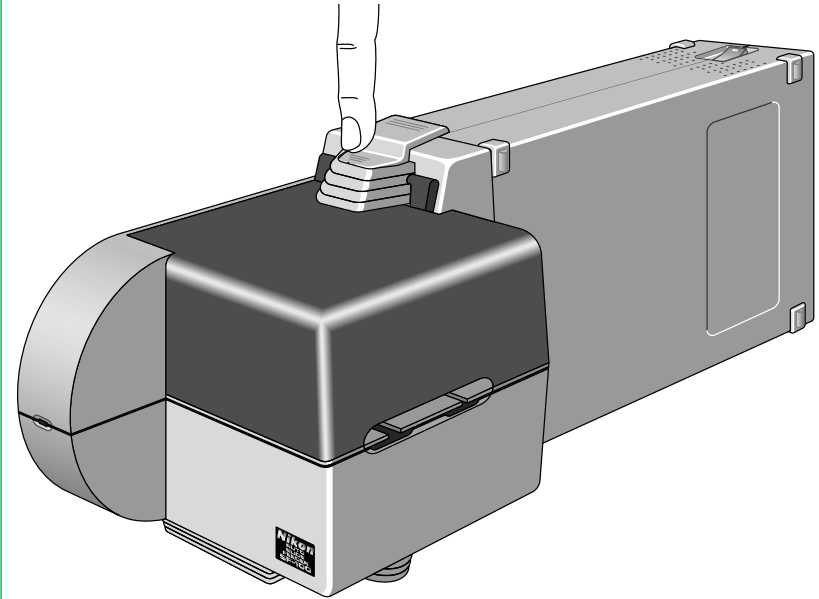
Confirm that the LS-1000 is turned off.

### Step 2

Close the magazine cover.

### Step 3

Press down the lock toward the auto slide feeder side, disengaging it from the groove in the top of the LS-1000.



### Step 4

Remove the connector by sliding the auto slide feeder away from the LS-1000.

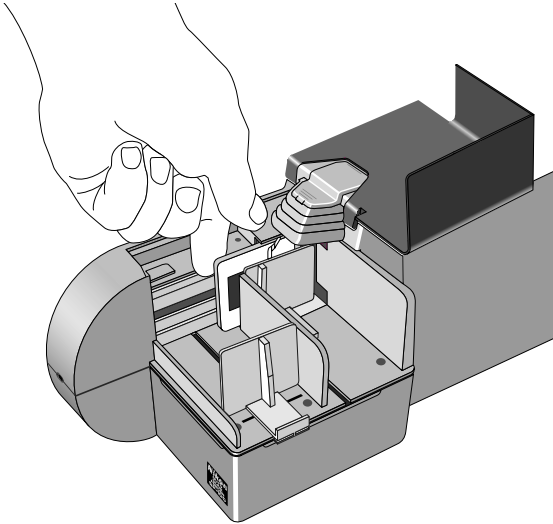


## 4.5 What to Do If a Mounted Slide is Jammed

If a slide is jammed inside the auto slide feeder, remove it as described below.

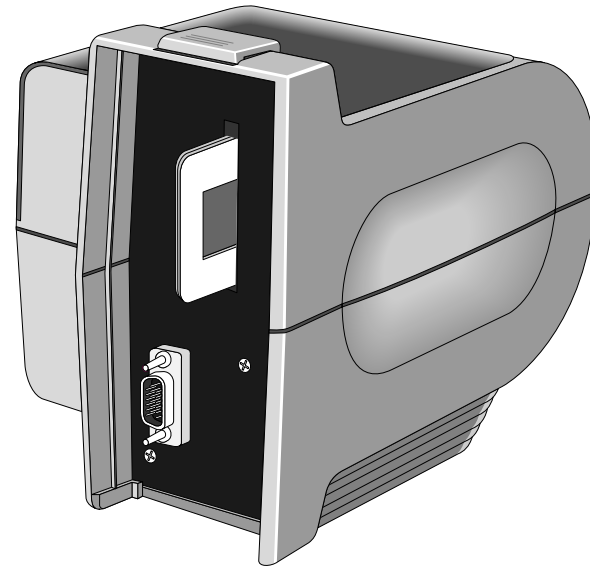
### What to do if a jam occurs

1. Open the magazine cover.
2. Grip the mounted slide with your fingers or tweezers and remove from the magazine. Be careful not to damage the slide or the SF-100.



### If a jam occurs between the slide autofeeder and the LS-1000

1. Switch the power off after terminating scan operation of the LS-1000.
2. Remove the binder and remove the auto slide feeder from the LS-1000.
3. Grip the jammed mounted slide with your fingers or tweezers from the slot in the LS-1000 or from the slide autofeeder. Be careful not to damage the slide or the SF-100.



# Appendix: Specifications

<b>Film used:</b>	35mm mounted slides of 1.1 - 3.0mm in thickness
<b>Maximum number of slides:</b>	About 50 1.6mm thick mounted slides (Magazine space: approx. 80mm)
<b>Connection:</b>	Directly connected to front panel connector of vertically installed LS-1000.
<b>Reference insertion/ejection time:</b>	Insertion: approx. 10 seconds Ejection: approx. 10 seconds
<b>Power source:</b>	Supplied by LS-1000. DC 12V 350mA or lower, DC 5V 30mA or lower.
<b>Size:</b>	5.1(W) × 7.8(D) × 6.2(H) inches (130 × 199 × 156.5mm)
<b>Weight:</b>	Approx. 1.8 lbs (0.8kg)

# Index

<b>A</b>	
accessories	8
<b>D</b>	
display LED	9
<b>E</b>	
ejection Magazine	9
<b>I</b>	
insertion magazine	9
<b>J</b>	
jams, clearing	17
<b>M</b>	
magazine cover	9
mounting the SF-100 on the LS-1000	10
<b>O</b>	
operating environment	7
<b>P</b>	
power source	18
<b>R</b>	
removing mounted slides	15
removing the auto slide feeder	16
<b>S</b>	
setting mounted slides	12
specifications	18

## EC DECLARATION OF CONFORMITY

We  
Name: Nikon UK Limited  
Address: Nikon House, 380 Richmond Road, Kingston, Surrey KT2 5PR, UK

declare that the product  
Product Name: Auto Slide Feeder SF-100  
Manufacturer's Name: Nikon Corporation  
Manufacturer's Address: Fuji Bldg., 2-3, Marunouchi 3-chome, Chiyoda-ku, Tokyo 100, Japan

is in conformity with the following Standards  
EN55022 Class B  
EN50082-1  
IEC801-2: 1991 4kV  
IEC801-3: 1984 3V/m  
IEC801-4: 1988 1kV AC, 0.5kV I/O

following the provisions of the EMC Directive (89/336/EEC)

## DECLARATION DE CONFORMITE DE LA CEE

Nous  
Nom: Nikon UK Limited  
Adresse: Nikon House, 380 Richmond Road, Kingston, Surrey KT2 5PR, UK

déclarons que ce produit  
Nom du produit: Passe-Vues Automatique SF-100  
Nom du fabricant: Nikon Corporation  
Adresse du fabricant: Fuji Bldg., 2-3, Marunouchi 3-chome, Chiyoda-ku, Tokyo 100, Japan

est conforme aux normes suivantes  
EN55022 Classe B  
EN50082-1  
IEC801-2: 1991 4kV  
IEC801-3: 1984 3V/m  
IEC801-4: 1988 1kV AC, 0.5kV I/O

selon les dispositions de la directive de la CEE (89/336/EEC)


## ERKLÄRUNG ÜBER EG-NORMENGERECHTHEIT

Wir  
Name: Nikon UK Limited  
Anschrift: Nikon House, 380 Richmond Road, Kingston, Surrey KT2 5PR, UK

erklären hiermit, daß das folgende Produkt  
Produktbezeichnung: Automatische Diapositiv-Zufuhr SF-100  
Name des Herstellers: Nikon Corporation  
Anschrift des Herstellers: Fuji Bldg., 2-3, Marunouchi 3-chome, Chiyoda-ku, Tokyo 100, Japan

den nachstehend aufgeführten Normen genügt:  
EN55022 Klasse B  
EN50082-1  
IEC801-2: 1991 4kV  
IEC801-3: 1984 3V/m  
IEC801-4: 1988 1kV AC, 0.5kV I/O

und zwar gemäß den Bestimmungen der EMC-Richtlinie (89/336/EEC)

Kingston, UK	June 30, 1995	
Place	Date	Signature/Managing Director
Lieu	Date	Signature/Directeur général
Ort	Datum	Unterschrift/Geschäftsführer